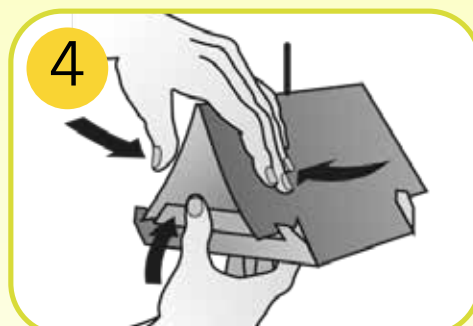
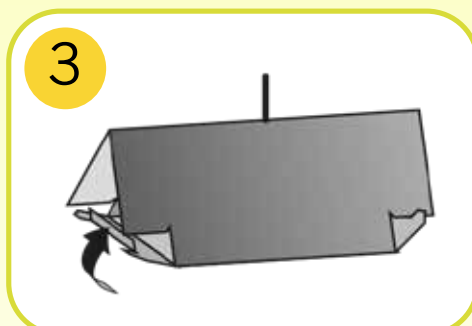
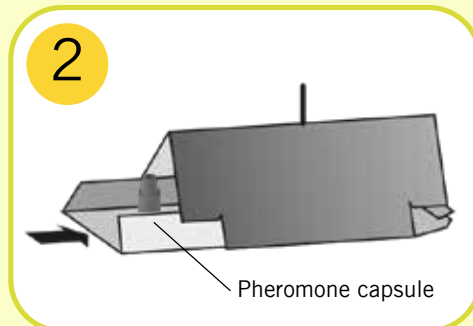
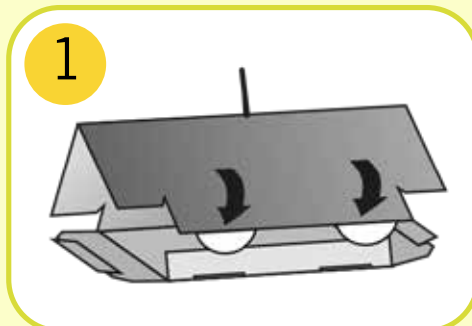


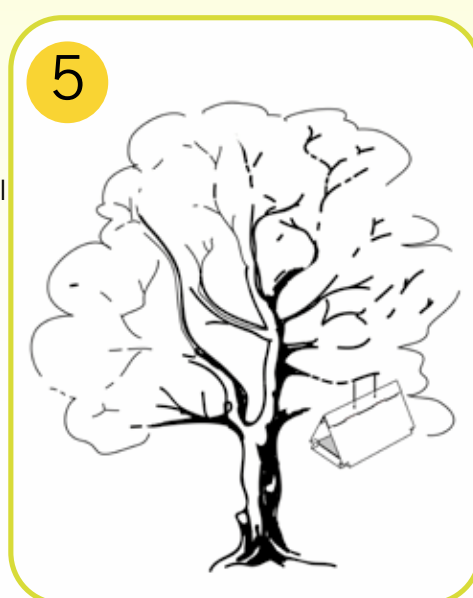
# WitaTrap® Complete Horse Chestnut Leaf Miner Moth Trap Set

Assembly of the WitaTrap® Delta Super Trap:



## Assembly:

- 1 Fold the trap body together and insert the fastening tabs sideways through the provided slits.
- 2 Remove the adhesive base from the foil and pull off the protective film. Remove the pheromone capsule from the aluminium sachet and place it in the centre of the adhesive base. Now insert the adhesive base with pheromone (attractant) with the glued surface upwards into the body of the trap.
- 3 Fold the lateral flaps of the trap upwards and insert them in the provided slits to ensure that the adhesive base cannot fall out.
- 4 Attach the suspension wire to the provided hole and hang the completed trap in accordance with instructions. (See inside page)



## Contents: One trap set

consisting of: 1 trap body (WitaTrap® Delta Super Trap), 2 adhesive bases (separately packaged!), 2 pheromone capsules (separately packaged!), 1 suspension wire for mounting and detailed instructions for use.

Art. No.: 360911



We have other trap sets available! Let us know your needs!

[www.witasek.com](http://www.witasek.com)

**witasek** Witasek-Allee 2 • 9560 Feldkirchen/Austria • Tel.: +43 (0) 4276 / 3230  
Fax: +43 (0) 4276 / 2088-399 • office@witasek.com • [www.witasek.com](http://www.witasek.com)

LEGAL NOTICE: Publisher responsible for contents: witasek PflanzenSchutz GmbH. Great care has been exercised in providing information. We can accept no liability for misprints and other errors. Contents may be subject to change without notice. Our general terms of supply and payment apply. To view our GTCs, go to [www.witasek.com](http://www.witasek.com)



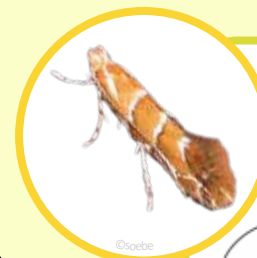
# WitaTrap®



## Complete Horse Chestnut Leaf Miner Moth Trap Set

Horse chestnut leaf miner moth  
(*Cameraria ohridella*)

Biological attractant trap (pheromone trap) for the management of pest infestation of your cultivars.



► See inside for more information

## Horse chestnut leaf miner moth (*Cameraria ohridella*)



Pest: horse chestnut leaf miner moth  
 Scientific name: *Cameraria ohridella*  
 Infests: chestnut trees, mainly the leaves of the white-flowering horse chestnut

### Main symptoms of infestation:

- When the buds emerge in mid-May, the first light brown spots appear on leaves. These spots rapidly become enlarged.

### Biology:

The larvae overwinter in the leaf litter on the ground. The first generation emerges from the soil in late April/early May. The females lay their eggs on the upper side of leaves at the time of tree blossoming.

The first generation is mainly attracted to the leaves of the lower section of the crown. After some 2 weeks, the larvae emerge, bore into leaves and eat the tissue between the upper and lower surfaces of leaves.

Adult moths of the second generation take flight in late June/July. In theory, there can be up to four generations a year, but this is often prevented by premature abscission.

Egg deposition: each female lays some 100 eggs  
 Larval development phase: approx. 2 weeks  
 Pupation phase: approx. 2 weeks  
Main flight periods of generations: late April to August  
 (theoretically, this can continue to October)

### Tips for managing infestation

- Regularly remove any infested leaves
- Thoroughly clear and destroy fallen leaves
- Use of insecticides (biological or standard)
- Use of horse chestnut leaf miner moth trap sheets (www.witasek.com)



The use of pheromone traps is an excellent way of controlling levels of flying pest insects and beetles.

### Purpose of pheromone traps:

- They are used to monitor levels of infestation and to determine when adults are taking flight. Further suitable targeted measures (biological or standard plant protection methods) can then be initiated as necessary.
- Reduction of numbers of pest insects.

### Use:

Assemble the trap and hang it using the suspension wire provided from a branch or post positioned near the tree. (See other side for assembly instructions)

Depending on size, it is advisable to use 1 - 3 traps per tree (as a rule of thumb, use one trap for each 30 cm trunk circumference)

Hang traps at eye level between the main wind direction and the tree. Make sure the trap entrances are not blocked by twigs and leaves.

Each trap should be checked at regular intervals of 2 - 3 days. Each time a trap is checked, the insects sticking to the adhesive base should be removed using a suitable tool (e.g. twig or wooden scraper) to ensure that the full glue surface is revealed. If the base becomes very soiled, replace it or spray with a liquid glue, such as Soveurode special glue.

Replace the attractant capsule and the adhesive base if necessary roughly every 4 - 6 weeks.

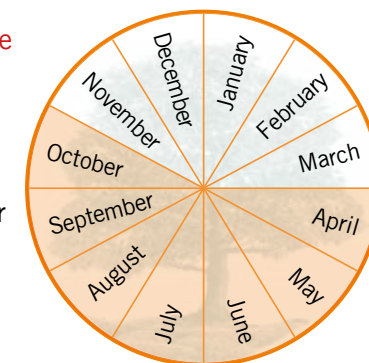
\*Traps should be put in place before the flight phase of the adults.

### Storage:

Store the pheromones prior to use in the original packaging in a cold place (e.g. refrigerator or freezer compartment) at a maximum temperature of +4°C (no risk to foodstuffs).

### Disposal:

Used traps can be disposed of with domestic waste.



Period of use\*

### Trap set

Art. No.	Product
360911	WitaTrap® Complete Horse Chestnut Leaf Miner Moth Trap Set ( <i>Cameraria ohridella</i> )

### Reconditioning

If adhesive bases collect too many insects and become badly soiled, these should be replaced or resprayed with a liquid glue, such as Soveurode special glue. Additional adhesive bases can be separately ordered.

Art. No.	Product
391111	Adhesive base for the WitaTrap® Delta Super - pack of two bases
381211	Soveurode special glue (sprayable glue)

Orders can be placed by phone, fax or email.

Tel.: +43 (0)4276/ 3230 | Fax: +43 (0) 4276/ 2088-399 | Email: office@witasek.com